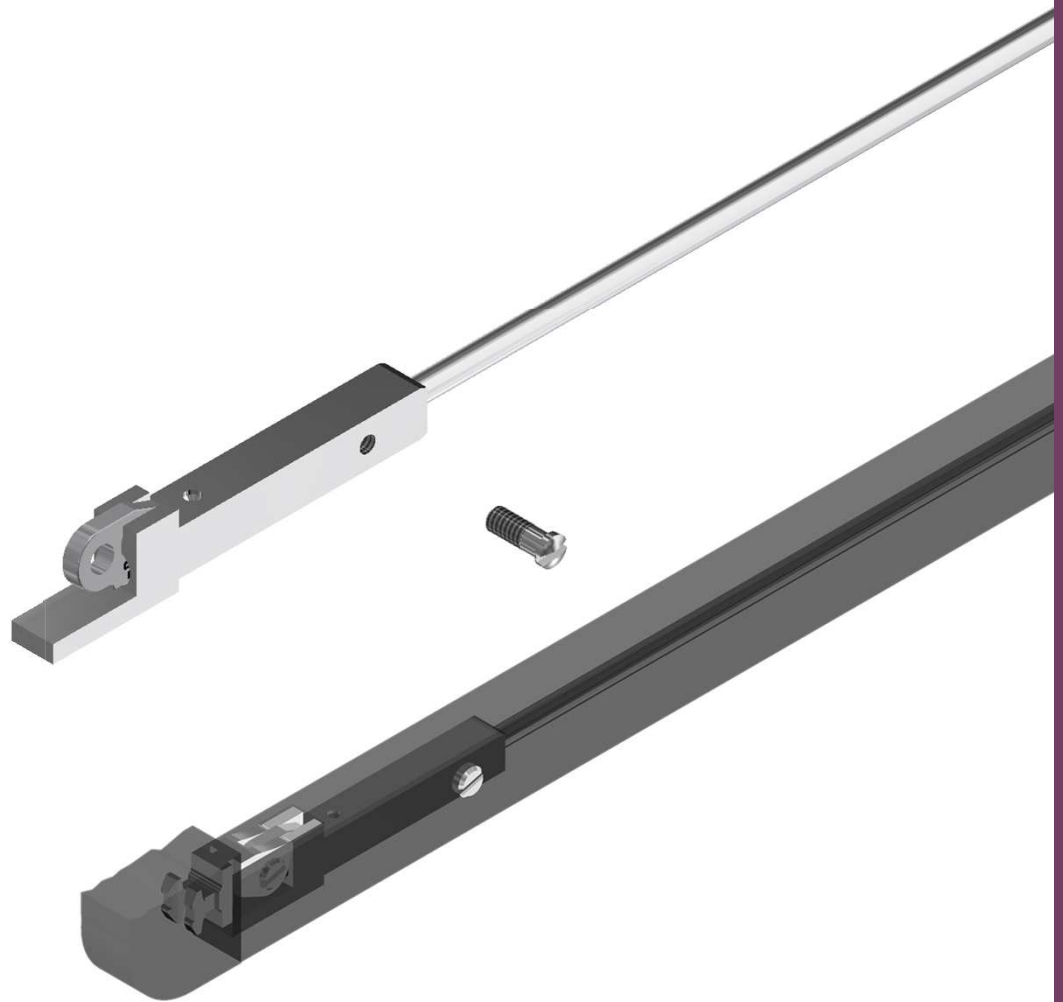


Cachew

WITH FLEXINO

Totally hidden flex wire



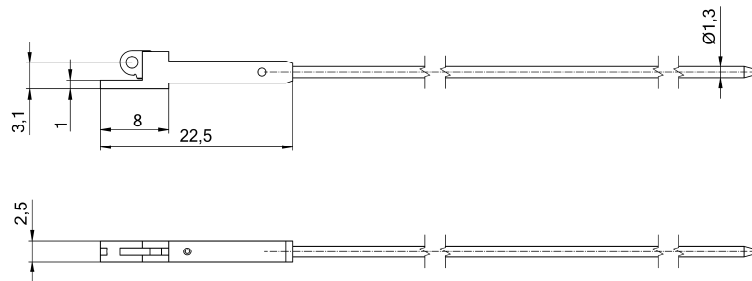
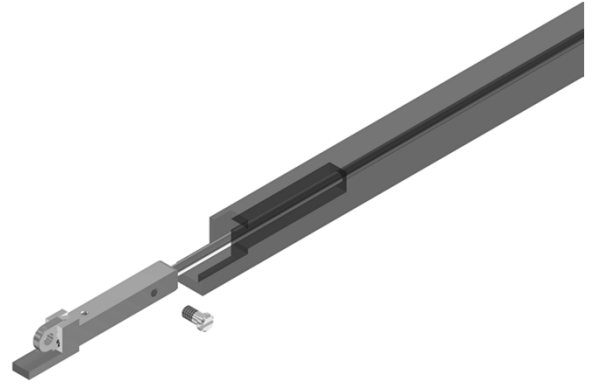
HIDDEN SPRING HINGES

Cachew

WITH FLEXINO

60-08042.50X

- Hidden spring hinge temple for long temple tips
- Plain look between temple and front
- Safe connection with OBE screw
- Minimum temple width with temple tip = 4.5 mm
- Wide variety of front hinges for full plastic or combination frames



Galvanised nickel silver, mechanism stainless steel

Matching parts						
Front hinges for plastic frames 90°	Front hinges for plastic frames 180°	Step hinges for soldering	Front hinges	Hinge screws	Fixation to temple	Fixation to front
33-04041	33-05016	52-05128	33-02113	99-01811 99-02525	99-02027	99-01375



OBE GmbH & Co. KG · Turnstr. 22 · 75228 Ispringen · Germany
Tel. +49 7231 802-0 · www.obe.de · info@obe.de